

Thermalbond®

V2200 Series

Providing durable, long-lasting security

High-Strength, Polyurethane Foam Spacer For Structural Glazing

The Thermalbond® V2200 series is specially designed to provide the following features:

- Open-cell structure allows air and moisture to reach the silicone for optimum curing of the silicone
- Semi-rigid polyurethane foam is compatible with all silicone tested
- Low thermal conductivity improves the performance of the wall and can support LEED points
- Excellent resistance to temperature variations, fungi and oxidation

The Thermalbond V2200G272 configuration offers the same benefits as the standard configuration with addition of:

- Gray foam core with UV stable gray pigmented adhesive coatings

The Thermalbond Xpress™ (TBX2) configuration offers the same benefits as the standard configuration with addition of:

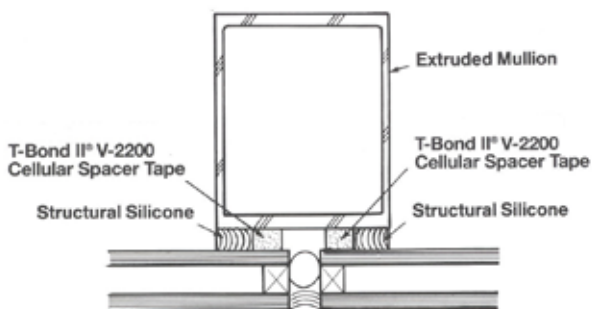
- Standard Thermalbond grade adhesive on one side ensuring an aggressive bond to aluminum profiles
- Low friction coating eliminates trapped air pockets and makes alignment of the glass simple and easy
- Adhesive will unwind from the specially treated top side of the foam which eliminates the need to have a separate liner to remove and recycle

Available Sizes

Standard thickness: .125, .187, .250, .312, .375 and .500 in. (3.2, 4.8, 6.4, 7.9, 9.5 and 12.7 mm)

Master roll size: 56 in. (1422 mm) width. Slit rolls also available.

Standard roll length varies with thickness.



Applications

- Spacer for two- and four- sided structural glazing systems

Thermalbond® V2200 Series – Properties

Performance tests are run using standard test procedures. The values presented are typical values and should not be used for specification purposes.

Property	Test Method	Value or Rating
Density: lbs./cu. ft. (kg/m ³)	ASTM D1667	22 (352)
Hardness: Shore A	ASTM D2240	30
Force to Compress 10%: psi (kPa)	ASTM D1667	16 (110)
Dynamic Tensile Adhesion: psi (kPa)* (15 min. dwell)	NTP-11	45 (310)
Dynamic Shear Adhesion: psi (kPa)* (15 min. dwell)	NTP-5	30 (206)
Static Shear Adhesion: Hours 1 psi load*	NTP-57	2000+
Tensile Strength: psi (kPa)	ASTM D412	130 (896)
Elongation of Foam: %	ASTM D412	105%
Thermal Conductivity K factor: BTU•in./hr.•ft ² •°F (w/m•°C)	ASTM C518	.55 (.08)
Migratory Staining of Acrylic Enamel: 200 hours of ultraviolet at 140°F	ASTM D925	No Staining

NTP- Norton Test Procedure

* Adhesive properties do not apply for Thermalbond® XPress™

Thermalbond® V2200 Series– Standard Configurations

Black A2S	Gray A2S	Black A1S	Thickness in. (mm)	Length ft. (m)
V2204	–	TBX204	.125 (3.2)	50 (15.2)
V2206	V2206G272	TBX206	.1875 (4.8)	50 (15.2)
V2208	V2208G272	TBX208	.250 (6.4)	50 (15.2)
V2210	V2210G272	TBX210	.3125 (7.9)	25 (7.6)
V2212	V2212G272	TBX212	.375 (9.5)	25 (7.6)

3 in. I.D. cardboard cores standard

Liners

Liner: Easy release branded blue polyethylene liner is standard on V2200 and V2200G272.

Important Instructions

- Refer to silicone manufacturer to confirm compatibility information. Due to the numerous variables involved in a structural glazing system, each project should be individually lab tested by the silicone manufacturer for compatibility between Thermalbond®, the structural silicone and all other adjacent components.
- Surfaces must be clean and free of oil, grease, moisture, dust and dirt. Isopropyl alcohol is good for cleaning the surface.
- Apply a uniform pressure of 15 psi (103 kPa) to promote good contact between the material to be bonded and the tape. The application temperature should be between 60°F and 125°F (16°C to 52°C). It is not recommended to apply these tapes at temperatures below 60°F (16°C), as the adhesive does not flow in this condition and can result in poor bonding.
- Recommended service temperature is between -40°F to 180°F (-40°C to 82°C).

Shelf Life

12 months after the date of sale when stored in original packaging at temperatures up to 70°F (21°C) and 50% relative humidity.

Thermalbond® is a registered trademark of Saint-Gobain Performance Plastics.

Thermal Xpress™ is a trademark of Saint-Gobain Performance Plastics.



www.thermalbond.com

The data and details in this document were correct and up-to-date at the time of printing and are intended to provide information on our products and their possible applications. It is the user's responsibility to obtain the latest version of the product data sheet. This data sheet is not a specification and does not assure specific product characteristics or make reference to the suitability of the product for a specific application. Because Saint-Gobain cannot anticipate or control every application, we strongly recommend testing of this product under individual application conditions. The application, use and conversion of this product are the user's responsibility.

Limited Warranty: For a period of 6 months from the date of first sale, Saint-Gobain Performance Plastics warrants this product(s) to be free from defects in manufacturing. Our only obligation will be to provide replacement product for any portion proving defective, or at our option, to refund the purchase price thereof. User assumes all other risks, if any, including the risk of injury, loss or damage, whether direct or consequential, arising out of the use, misuse, or inability to use this product(s).

SAINT-GOBAIN PERFORMANCE PLASTICS DISCLAIMS ANY AND ALL OTHER WARRANTIES, EXPRESSED OR IMPLIED, INCLUDING THE IMPLIED WARRANTIES OF MERCHANTABILITY AND FITNESS FOR A PARTICULAR PURPOSE.

NOTE: Saint-Gobain Performance Plastics Corporation does not assume any responsibility or liability for any advice furnished by it, or for the performance or results of any installation or use of the product(s) or of any final product into which the product(s) may be incorporated by the purchaser and/or user. The purchaser and/or user should perform its own tests to determine the suitability and fitness of the product(s) for the particular purpose desired in any given situation.

Saint-Gobain Performance Plastics

Europe

Avenue du Parc 18
4650 Chaineux, Belgium
Tel: (32) 87.32.20.11
Fax: (32) 87.32.20.51

13 Earlstrees Road
NN17 4NP Corby, Northants
Great Britain
Tel: (44)1536.276.000
Fax: (44)1536.203.427

North & South America

One Sealants Park
Granville, New York 12832, USA
Tel: (800) 724.0883
Fax: (1) 518.642.2793

R.Antonio Matheus Sobrino, 120
Vinhedo-SP Brazil
CEP:13.280-000
Tel: (55) 19.2127.8532/8530
Fax: (55) 19.2127.8540

Asia

6th Fl, Fuchu South Building
1-40 Miyamachi, Fuchu-city
Tokyo 183-0023
Japan
Tel: (81) 42.352.2104
Fax: (81) 42.358.2887

13th Fl Dongshin Building
141-28 Samsung-Dong
Gangam-Gu, Seoul 135-090, Korea
Tel: (82) 2.508.8200
Fax: (82) 2.554.1550

3F-147 Jianguo North Road, Section 2
Taipei 10477, Taiwan
Tel: (886) 2.2503.4201
Fax: (886) 2.2503.4202

1468 Kun Yang Road
Minhang Economical & Technological
Development Zone
Shanghai, China 200245
Tel: (86) 21.5472.1568
Fax: (86) 21.5472.2378

64/8 Moo 4 Eastern Seaboard
Ind. Estate T. Pluakdaeng, A.
Pluakdaeng, Rayong 21140
Thailand
Tel: (66) 3.866.7800
Fax: (66) 3.866.7892

Devanahalli Road,
Via Old Madras Road
Bangalore 560 049
India
Tel: (91) 80.2847.2900
Fax: (91) 80.2847.2616